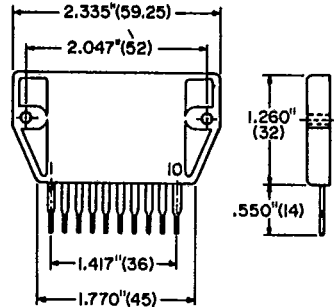


Features

- Thick film hybrid module
- Darlington power pack
- Dual power supply
- Output stage for AF high power amp



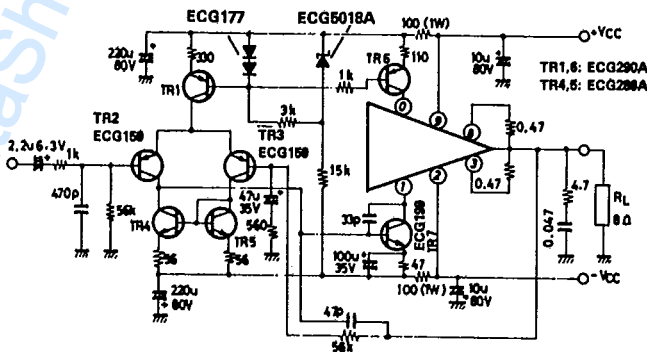
Absolute Maximum Ratings

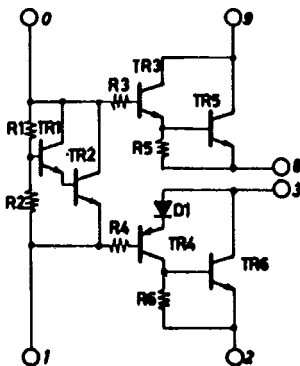
Characteristic	Symbol	Rating	Unit
Supply Voltage	V_{CC}	± 52.5	V
Collector Current	I_C	7	A
Junction Temperature	T_J	150	$^{\circ}C$
Storage Temperature	T_{stg}	-30 to +105	$^{\circ}C$
Thermal Resistance	θ	1.6	$^{\circ}C/W$

Operational Characteristics ($T_A = 25^{\circ}C$, $V_{CC} = \pm 38$ V, $R_L = 8 \Omega$, $R_g = 600 \Omega$, $V_g = 40$ dB)

Characteristic	Symbol	Test Condition	Min	Typ	Max	Unit
Quiescent Current	I_{CCO}	$V_{CC} = \pm 46$ V		40	80	mA
Output Power	P_O	THD = 0.1% $f = 20$ to 20 kHz	55			W
Total Harmonic Distortion	THD-1	$P_O = 1$ to 55 W $f = 20$ to 20 kHz			0.1	%
	THD-2	$P_O = 1$ W, $f = 1$ kHz		0.02		

Application





Typical Characteristics

